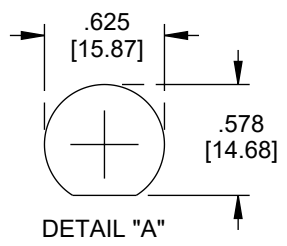
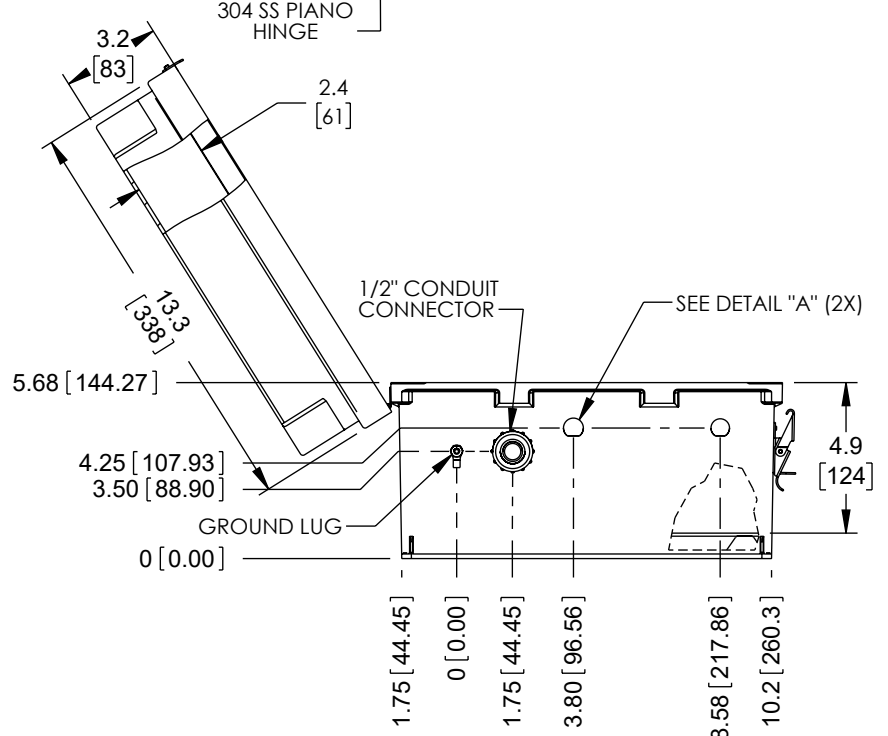
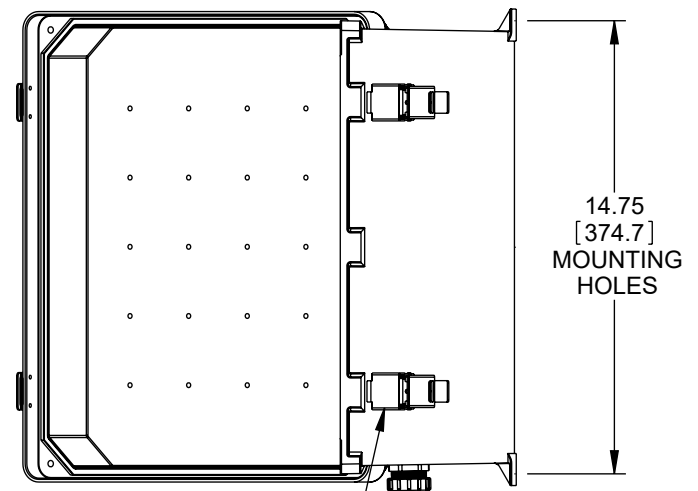
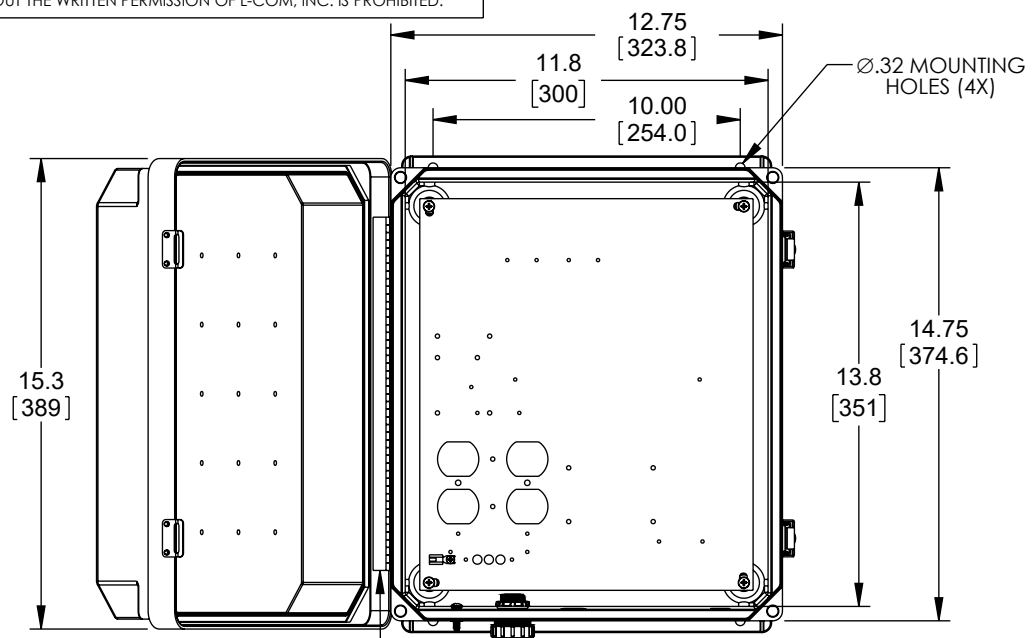


THE INFORMATION CONTAINED IN THIS DRAWING IS THE SOLE PROPERTY OF L-COM, INC. ANY REPRODUCTION IN PART OR WHOLE WITHOUT THE WRITTEN PERMISSION OF L-COM, INC. IS PROHIBITED.


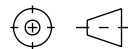
REVISION					
ZONE	REV.	DESCRIPTION	DATE	CHANGED BY	APPROVED BY
	B	ECO-13007	08/24/2023	BPUCHASKI	MMARTINEZ

D  
C  
B  
A



316 SS PADLOCKABLE LATCHES  
Ø.375 PADLOCK EYE

REGULATORY COMPLIANCE:  
EU RoHS DIRECTIVE (MOST RECENT RELEASED VERSION)

UNLESS OTHERWISE SPECIFIED, DIMENSIONS ARE IN INCHES [mm]	APPROVALS	DATE	 50 High Street, West Mill, North Andover, MA 01845 USA. Phone: 1.800.341.5266 1.978.682.6936		
	DRAWN BY BPUCHASKI CHECKED BY PPESA APPROVED BY PPESA	11/13/2012 11/13/2012 11/13/2012		CATEGORY <b>ENCLOSURE</b>	
OVERALL CABLE LENGTH TOLERANCE: ≤12 [305] = +1 [25] / -0 >12 [305] ≤60 [1524] = +2 [51] / -0 >60 [1524] ≤120 [3048] = +4 [102] / -0 >120 [3048] ≤300 [7620] = +6 [152] / -0 >300 [7620] = +5% / -0	CONFIGURATION DETAILS OF UNDIMENSIONED FEATURES MAY VARY	PRODUCT DESCRIPTION <b>NEMA ENCLOSURE 14 X 12 X 7 WEATHERPROOF W/DRILLED PLATE-UL LISTED</b>			
ALL OTHER DIMENSIONAL TOLERANCES: .X = ± .2 [5]   FRACTIONS ± 1/32 .XX = ± .02 [5]   ANGLES ± 1° .XXX = ± .005 [13]	COLOR VARIATIONS MAY OCCUR	SIZE <b>A</b>	CAGE CODE <b>43321</b>	ITEM NO. <b>NB141207-01-UL</b>	REV. <b>B</b>
THIRD-ANGLE PROJECTION 	SCALE: NONE	CAD FILE: NB141207-01-UL.SLDDRW	SHEET 1 OF 1		

8 7 6 5 4 3 2 1